

VULCAN VULCAP

REVOLUTIONIZING
VULCANIZATION



SPECIALIZED IN
Vulcanizing Equipment
& Section Repair Molds

Insist on the Original!



vulcanvulcap.com



**75 Years offering the tire repair industry
the highest-quality equipment & service**

From trucks to OTR's

Specialized in Tire Repair Materials,
Vulcanizing Equipment & Section Repair
Molds

ABOUT

At Vulcan-Vulcap Industries Inc. we design and manufacture tire repair products and solutions while specializing on vulcanizing equipment of the highest quality.

Our goal is to help your tire repair business operate efficiently and profitably by reducing your down time as well as your new tire expenditure, the more tires you repair the less you'll spend.

Canadian owned since 1956, Vulcan Equipment Company was founded by Erhard J. Alm who changed the tire repair industry with a revolutionary concept in tire vulcanization. He invented the first portable, electric mold for passenger and commercial tires.

The Vulcan MPB Passenger Section Repair Mold cut curing time from 90 to 30 minutes, requiring minimum electricity and was mass produced at a price that enthused tire repair and retread shops around the world.

Today with over 10,000 machines sold, Vulcan-Vulcap Industries Inc. still supplies parts for these molds as well as manufacturing a new generation of Section Repair Mold Systems and Vulcaflex Portable Repair Systems for truck and OTR tires. For tires ranging from truck tires to 63" (Giant) OTR tires.

Vulcan-Vulcap Industries also manufactures a wide range of tire repair and retread accessories for truck and OTR Equipment.

Our commitment to provide "leading edge equipment" paired with advanced R&D as we maintain rigorous testing and evaluation.



VulcanVulcap.com
vulcanize@vulcanvulcap.com
1.416.266.0371



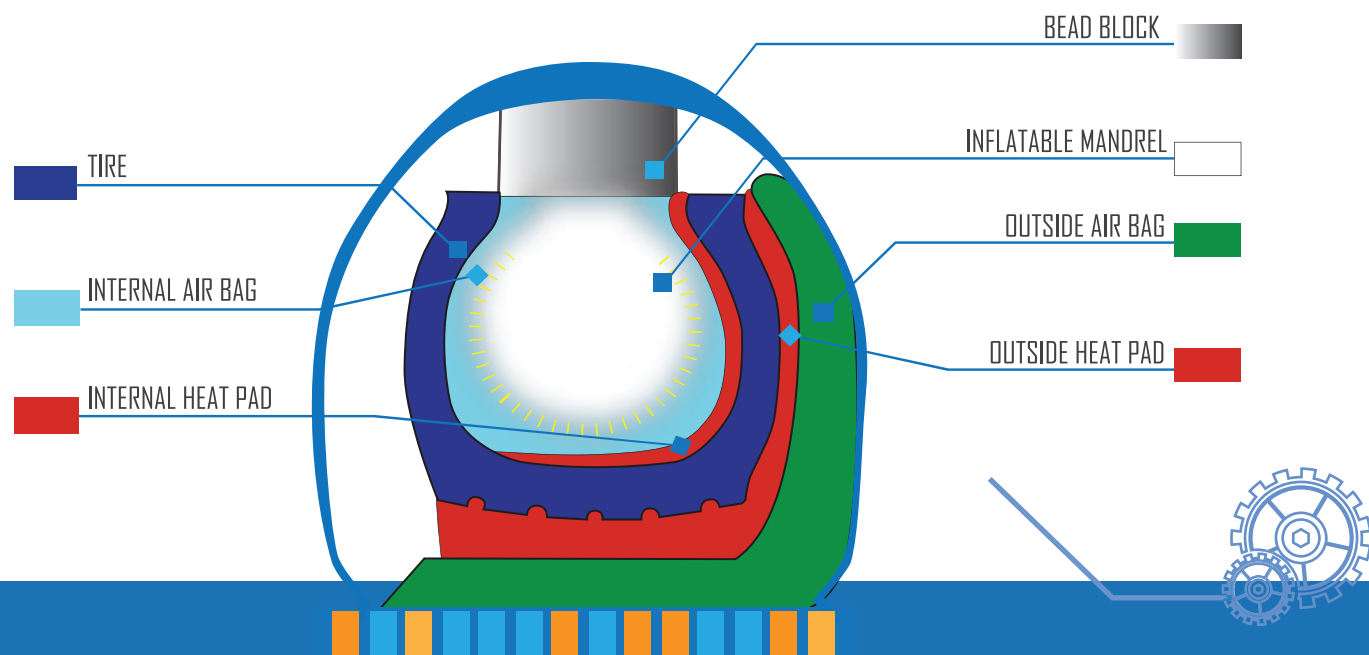
SECTION REPAIR MOLD

VULCAN-VULCAP Section Repair Mold Systems are engineered to accurately repair all tire sizes from the smallest passenger tire or truck, tractor, or skidder tire up to a 57" OTR (Earthmover Tire).

They offer measurable precision you can count on, with accurate time control, adjustable temperature, and pressure ensuring optimal vulcanization results.

Flowing rubber during the curing process densely seals any repaired injury, providing a permanent and leak-free repair. The combined pressure and heat offer maximum adhesion, curing simultaneously plug and patch.

- Permanent outside air bag & heat pad
- Expandable cavity makes it easy to load
- Built-in automatic air differential control
- Air differential (control 45 P.S.I.)
- Available in electric or steam configuration
- 220V single phase
- Warranty of 400 curing hours on parts and heat pads
- Made in Canada



V14 SYSTEM

V14 Section Repair Mold System
 For Radial and Bias Truck Tires
 Tire size 8.25R15 to 12.00x24
 Repairs up-to 4" injury for Bias tire without distortion
 Repairs up-to 18 cables on Radial tire without distortion
 Up-to 14" x 14" patch (35.5 cm x 35.5 cm)



MV20

MV20 Section Repair Mold System
 For Radial and Bias Tractor, Skidder and Road Grader Tires
 Tire size 14.00R24/25 to 18.00 x 24/25
 Repairs up-to 10" injury for Bias
 Repairs up-to 20 cables on Radial tire
 Up-to 20" x 20" patch (50.8 cm x 50.8 cm)

Insist on the Original!

MV30

MV30 Section Repair Mold System for Radial & Bias Tractor, skidder, and Road Grader Tires
Tire size 20.5R25 to 24.00 x35
Optional top clamp extension allows handling of large tires (29.5R 25/29)
Repairs up-to 12" injury for Bias tires
Repairs up to 20 cables on Radial tire
Up to 24" x 24" patch (61 cm x 61cm)



MV40

MV40 Section Repair Mold System For OTR tire size 27.00R49 to 37.5 x51 Repairs up-to 12" injury on Bias tires
Up-to 18 cables on Radial tire
Up to 24" x 24" patch (61 cm x 61cm)



MV50 Section Repair Mold System
For OTR Tires size 36.00R51 to 54.5/80R57
Repairs up-to 12" injury for Bias tire
Repairs up-to 15 cables on Radial tire
Up-to 24" x 24" patch (91cm x 91cm)
Adjustable base





PART PER MOLD

MOLD SYSTEM	INSIDE AIR BAG	MANDREL	OUTSIDE MAIN AIR BAG	OUTSIDE SIDE AIR BAG	SPREADER BAG	INSIDE HEAT PAD	OUTSIDE HEAT PAD	BEAD FILLER	SIDE FILLER PAI	POWER SUPPLY AVAILABLE		
										120V	220V	STEAM
RTV 12000	N/A	12800	12500	N/A	N/A	12700	12600	12100	N/A	X	X	X
V14 202200	N/A	201700	201800	N/A	814100	204900	200500	201500	810600	X	X	X
MV20 20000	891200 OR 259300	253700 OR 253200	20400	N/A	N/A	856100	251000	830080	830070	X	X	X
MV30 30000	210300	216300 OR 215900	300100	N/A	N/A	210100	300500	210200	216260	X	X	X
MV40 40000	376000	370400	405100	405000	N/A	376200	405200	373100	373260	X	X	X
MV50 50000	376600	370400	501400	501300	N/A	500400	502600	373100	500500	X	X	X

ALL MOLDS - AIR BAGS

- 12120 AIRBAG INFLATABLE MANDREL (LOW PROFILE) RTV12
- 12500 AIRBAG 40" x 12" RTV12 Main Bag
- 12800 AIRBAG INFLATABLE MANDREL RTV12
- 140410 AIRBAG 22" x 45" MTB
- 140920 AIRBAG 22" x 43" MT
- 180200 AIRBAG 33" X 33" V18 Inside bag
- 182900 AIRBAG 33" x 71" V18
- 200400 AIRBAG 15" x 19" MTB inside bag
- 201700 AIRBAG INFLATABLE MANDREL M2
- 201800 AIRBAG 21" x 40" V14
- 20400 AIRBAG 65" x 20" MV20
- 204000 AIRBAG 12" x 21"
- 204700 AIRBAG INFLATABLE MANDREL (LOW PROFILE) M2
- 210300 AIRBAG 33" x 55" V310/V21/MV30 Expandomatic Bag
- 210400 AIRBAG 33" x 45" V310/V21/MV30 Expandomatic Bag
- 214500 AIRBAG 26" x 33" V21 Side Bag
- 214600 AIRBAG 33" x 58" V21/V310 Main Bag



CUSTOM SIZES AVAILABLE upon request

ALL MOLDS - AIR BAGS

- 215900 AIRBAG INFLATABLE MANDREL M6
- 216300 AIRBAG INFLATABLE MANDREL M5
- 217000 AIRBAG LOW PROFILE KIT MV 20
- 221600 AIRBAG 22 1/2" x 64" V20
- 253200 AIRBAG INFLATABLE MANDREL M4
- 253700 AIRBAG INFLATABLE MANDREL M3
- 256240 AIRBAG 22" x 43" SM250 Main Bag
- 256500 AIRBAG 22" x 19" SM250 Side Bag
- 259300 AIRBAG 20" x 50" Vulcamatic "C"
- 300100 AIRBAG 84.5" x 30" MV30
- 370400 AIRBAG INFLATABLE MANDREL M8
- 372100 AIRBAG 37" x 36" V37.5 Side Bag
- 372200 AIRBAG 37" x 72" V37.5 Main Bag
- 376000 AIRBAG 37" x 66" V33/V37.5/V45/MV40/MV50 Expandomatic Bag
- 376100 AIRBAG 37" x 45" V33/V37.5/V45/MV40/MV50 Expandomatic Bag
- 376300 AIRBAG 37" x 56" V33/V37.5/V45/MV40/MV50 Expandomatic Bag
- 376600 AIRBAG 37" x 80" V33/V37.5/V45/MV40/MV50 Expandomatic Bag
- 376900 AIRBAG 37" x 90" V33/V37.5/V45/MV40/MV50 Expandomatic Bag
- 377000 AIRBAG 37" x 100" V33/V37.5/V45/MV40/MV50 Expandomatic Bag
- 405000 AIRBAG 44" x 35" Side Airbag
- 405100 AIRBAG 81" x 35" Main Airbag
- 500100 AIRBAG 95" x 37" V45 Main Bag
- 500200 AIRBAG 48" x 37" V45 Side Bag
- 501300 AIRBAG 50" x 40" MV50 Side bag
- 501400 AIRBAG 103" x 40" MV50 Main bag
- 69-113 AIRBAG 18-1/2" x 12" (47 cm L x 30 cm W) 100-A4AST - 18-4
- 69-990 400-AST - Main Airbag 21" x 40"
- 69-991 400-AST - Spreader bag 12" x 17"
- 814000 AIRBAG 11 1/2" x 19 1/2" SM180 Spreader Bag
- 814100 AIRBAG 15" x 16" V14/SM180/SM250/V20 Spreader Bag
- 816700 AIRBAG 22" x 36 1/2" SM180 Main Bag
- 816800 AIRBAG 22" x 16" SM180 Side Bag
- 891100 AIRBAG 20" x 30" Vulcamatic "A" Bag
- 891200 AIRBAG 20" x 40" Vulcamatic "B" Bag
- 901700 AIRBAG 12 1/2" x 30" MPB Bag
- 919600 AIRBAG INFLATABLE MANDREL M1
- 920000 AIRBAG INFLATABLE MANDREL M0



ALL MOLDS - HEAT PADS

111300	HEATPAD L SHAPE 24" x 15" Commercial outside
12691	HEATPAD L SHAPE 20" x 13" RTV12 outside 110V
12692	HEATPAD L SHAPE 20" x 13" RTV12 outside 220V
12700	HEATPAD 18" x 14" RTV12 inside
200591	HEATPAD L SHAPE 21" x 20" / V14 Outside Electric 110V
200592	HEATPAD L SHAPE 21" x 20" / V14 Outside Electric 220V
200593	HEATPAD L SHAPE 21" x 20" / V14 Outside STEAM
204891	HEATPAD 20" x 10" finish SM180/V14 RADIAL ONLY inside 110V
204892	HEATPAD 20" x 10" finish SM180/V14 RADIAL ONLY inside 220V
204991	HEATPAD 19" x 16" VULCAMATIC "A" (V14/SM180/MTB) inside 110V
204992	HEATPAD 19" x 16" VULCAMATIC "A" (V14/SM180/MTB) inside 220V
210192	HEATPAD 28" x 28" (V18/V21/V310/V33/V37.5/MV30/MV40) 220V
210293	HEATPAD 29" x 28" overall 33" x 32" (V18/V21/V310/V33/V37.5/MV30/MV40) STEAM
214800	HEATPAD V18/21 Finish 30.5" x 50" / Heating 26" x 42"
214893	HEATPAD V18/21 Finish 30.5" x 50" / Heating 26" x 42" STEAM
221592	HEATPAD L SHAPE 35" x 21" (V20) Outside 220V
221593	HEATPAD L SHAPE 35" x 21" (V20) Outside STEAM
251091	HEATPAD L SHAPE 39" x 21" (SM250/MV20) Outside 110V
251092	HEATPAD L SHAPE 39" x 21" (SM250/MV20) Outside 220V
251093	HEATPAD L SHAPE 39" x 21" (SM250/MV20) Outside STEAM
259792	HEATPAD 23" X 33" VULCAMATIC "C" Inside 220V
259793	HEATPAD 23" X 33" VULCAMATIC "C" Inside STEAM
300592	HEATPAD 39" x 22" finish (MV30)
300692	HEATPAD 39" x 22" Thin Overlay 220V
310400	HEATPAD V310 28"x32" heat surface
372492	HEATPAD L SHAPE 60" x 36" finish (V33/V37.5) 220V
372493	HEATPAD L SHAPE 60" x 36" finish (V33/V37.5) STEAM
376292	HEATPAD 32" x 32" (V33/V37.5/MV40/V45/MV50) 220V
376993	HEATPAD 32" x 32" (V33/V37.5/MV40/V45/MV50) STEAM
377093	HEATPAD 42" X 28" THIN STEAM
400692	HEATPAD 48" x 26" Thin Overlay 220V
405292	HEATPAD MV40 220V
500300	HEATPAD V45 NOT AVAILABLE USE 500692/500693
500492	HEATPAD 38" x 42" (V45/50) 220V

**CUSTOM
SIZES
AVAILABLE
upon
request**

ALL MOLDS - HEAT PADS

500493	HEATPAD 42" x 42" (V45/50) STEAM
500692	HEATPAD 65" x 33" Thin Overlay 220V
500693	HEATPAD 65" x 33" Thin Overlay STEAM
500793	HEATPAD 60" x 36" Thin Overlay STEAM
502692	HEATPAD MV50 220V
502693	HEATPAD MV50 STEAM
69-114	HEATPAD 8" x 18" NATIONAL 100 -A4AST- 29-4 , 110V
69-115	HEATPAD 8" x 18" NATIONAL 100 -A4AST- 29-4 , 220V
69-981	400-AST - Outside Heat Pad, 110V
69-982	400-AST - Outside Heat Pad 220V
856091	HEATPAD L SHAPE 23" x 21" (MT/MTB/SM180) Outside 110V
856092	HEATPAD L SHAPE 27" x 22" (MT/MTB/SM180) Outside 220V 23x13 heat
856093	HEATPAD L SHAPE 23" x 21" (MT/MTB/SM180) Outside STEAM
856191	HEATPAD 22" X 22" 19x20 heat VULCAMATIC "B" Inside 110V
856192	HEATPAD 22" X 22" VULCAMATIC "B" Inside 220V
903591	HEATPAD L SHAPE 15" x 12" (MPB) Outside 110V
903592	HEATPAD L SHAPE 15" x 12" (MPB) Outside 220V
903791	HEATPAD 13" X 13" VULCAMATIC "AA" 110V
903792	HEATPAD 13" X 13" VULCAMATIC "AA" 220V
904891	HEATPAD 9" X 9" VULCAMATIC "AAA" Inside (MPB) 110V
904892	HEATPAD 9" X 9" VULCAMATIC "AAA" Inside (MPB) 220V



Insist on the Original!



HEATPADS

1002789/1	HEATPAD 6" x 7" 110V
1002799/1	HEATPAD 6" x 9" 110V
1002809/1	HEATPAD 8" x 8" 110V
1002819/1	HEATPAD 12" x 12" 110V
1002829/1	HEATPAD 14" x 14" 110V
1002839/1	HEATPAD 10" x 20" 110V
1002849/1	HEATPAD 20" Round 110V

AIRBAGS FOR GVS CLAMP

1002929	AIRBAG 6" x 7"
1002939	AIRBAG 6" x 9"
1002859	AIRBAG 8" x 8"
1002859-S	AIRBAG 8" x 9" Shoulder
1002865	AIRBAG 10" x 12"
1002869	AIRBAG 12" x 12"
1002879	AIRBAG 12" x 14" Shoulder
1002889	AIRBAG 14" x 14"
1002899	AIRBAG 14" x 16" Shoulder
1002909	AIRBAG 10" x 20"
1002919	AIRBAG 20" Round



PLATES FOR GVS CLAMP

1003049	PLATE 8" x 9" Outside Shoulder
1003059	PLATE 6" x 7" Inside Shoulder
1003069	PLATE 6" x 7" Inside
1003079	PLATE 6" x 7" Outside
1003089	PLATE 6" x 9" Inside
1003099	PLATE 6" x 9" Outside
1003109	PLATE 8" x 8" Inside
1003119	PLATE 8" x 8" Outside
1003129	PLATE 12" x 12" Inside
1003139	PLATE 12" x 12" Outside
1003149	PLATE 12" x 12" Inside Shoulder
1003159	PLATE 12" x 14" Shoulder
1003169	PLATE 14" x 14" Inside
1003179	PLATE 14" x 14" Outside
1003189	PLATE 14" x 16" Shoulder
1003199	PLATE 10" x 20" Inside C/W Adpt.
1003209	PLATE 10" x 20" Outside C/W Adpt.
1003219	PLATE 20" Round Inside
1003229	PLATE 20" Round Outside

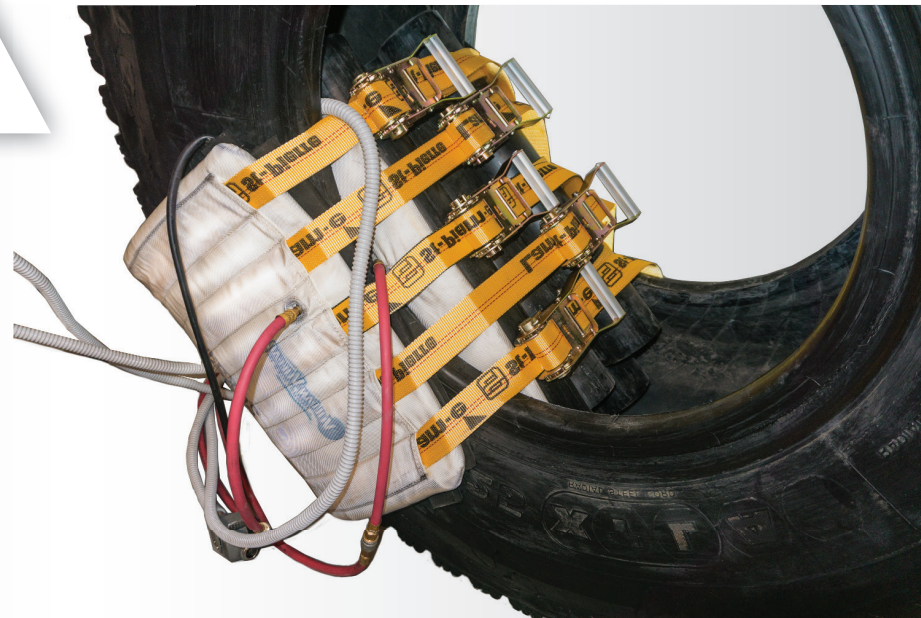
Insist on the Original!



PORTABLE REPAIR SYSTEM

VULCAFLEX® PORTABLE REPAIR SYSTEM OFFERS YOU THE MOST ADVANCED CURING METHOD WHEN REPAIRING ALL SIZES OF RADIAL & BIAS TIRES.

The system allows you to manually adjust its air bags and heat pads to the tire contour with maximum flexibility. The superior pressure and heat control and make this system a must-have in your tire repair shop. Lightweight and portable. Ease of use, one man operation. Independent inside & outside temperature and air pressure control.



CONTROL PANEL



Insist on the Original!

DIGITAL CONTROL PANELS

	VVCPB	VVCPM	VVCPL
220V	✓	✓	✓
Single Phase	✓	✓	✓
25 Amps	✓	✓	✓
Dual Digital Controls	✓	✓	
Triple Digital Controls			✓
Inner & Outer Air Bag Controls		✓	✓
Core temperature reading		✓	✓
Accurate Timer Control		✓	✓
Air Hoses		✓	✓

CONTROL PANEL

Our exclusive digital Proportional Integral Derivative (PID) Controllers regulate temperature peaks to minimize highs and lows.

- 220V, Single Phase, 25 Amps
- Independant Interior and exterior
- Pressure and temperature control
- Core temperature reading
- Digital Timer Control
- CE & CB scheme certified



CONTROL PANEL STAND - VVCPSD

Control panel stand
 Made for the Vulcan control panels
 Made of steel and powder coated for durability
 Mounted on wheels for ease of panel movement
 Hook for hose storage
 Compact conception for easy storage
 Elevated edge for panel stability and safe transportation between working stand





THIN FLEX

THIN-FLEX was developed to easily conform to ANY tire contour. Thinner and more flexible than ever before, THIN-FLEX is 35% thinner and 52% lighter than regular heat pads.

The heat pad cover is made of resistant nylon fabric, protecting the heat pad and providing a longer service life.

NEW THIN PADS

VVT1616H	HEATPAD THIN - heat surface 14" x 14", Overall 16" x 16", 220V T/C
VVT2010H	HEATPAD THIN - heat surface 18" x 8", Overall 20" x 10", 220V T/C
VVT2010IH	HEATPAD THIN - heat surface 18" x 8", Overall 20" x 10" inside, 220V T/C
VVT2424H	HEATPAD THIN - heat surface 22" x 22", Overall 24" x 24", 220V T/C
VVT2621H	HEATPAD THIN - heat surface 24" x 19", Overall 26" x 21", 220V T/C
VVT2828H	HEATPAD THIN - heat surface 26" x 26", Overall 28" x 28", 220V T/C
VVT3217H	HEATPAD THIN - heat surface 30" x 15", Overall 32" x 17", 220V T/C
VVT3636H	HEATPAD THIN - heat surface 34" x 34", Overall 36" x 36", 220V T/C
VVT4220H	HEATPAD THIN - heat surface 40" x 18", Overall 42" x 20", 220V T/C
VVT6020H	HEATPAD THIN - heat surface 58" x 18", Overall 60" x 20", 220V T/C
VVT7824H	HEATPAD THIN - heat surface 76" x 22", Overall 78" x 24", 220V T/C

NEW THIN PAD COVERS

VVT1616HCV	THIN PAD COVER for 14" x 14" PAD
VVT2010HCV	THIN PAD COVER for 20" x 10" PAD
VVT2424HCV	THIN PAD COVER for 22" x 22" PAD
VVT2621HCV	THIN PAD COVER for 24" x 19" PAD
VVT2828HCV	THIN PAD COVER for 26" x 26" PAD
VVT3217HCV	THIN PAD COVER for 30" x 15" PAD
VVT3636HCV	THIN PAD COVER for 34" x 34" PAD
VVT4220HCV	THIN PAD COVER for 40" x 18" PAD
VVT6020HCV	THIN PAD COVER for 58" x 18" PAD
VVT7824HCV	THIN PAD COVER for 76" x 22" PAD

**35%
THINNER**



VULCAFLEX SYSTEM HEAT PAD

HEAT PADS

VV1010H	HEATPAD - HEAT SURFACE 8"x8", Overall 10"x10", 220V T/C
VV116H	HEATPAD - HEAT SURFACE 10"x5", Overall 12"x6", 220V T/C
VV1210H	HEATPAD - HEAT SURFACE 10.5"x9", Overall 12"x10", 220V T/C
VV1213H	HEATPAD - HEAT SURFACE 13"x12", Overall 18"x13", 220V T/C
VV126H	HEATPAD - HEAT SURFACE 11.5"x5", Overall 13"x6", 220V T/C
VV128H	HEATPAD - HEAT SURFACE 10.5"x7", Overall 13"x8", 220V T/C
VV1414H	HEATPAD - HEAT SURFACE 14" x 14", Overall 16" x 16", 220V T/C
VV1614H	HEATPAD - HEAT SURFACE 12" x 14", Overall 16" x 14", 220V T/C
VV1616H	HEATPAD - HEAT SURFACE 16" x 16", Overall 22" x 17", 220V T/C
VV2010H	HEATPAD - HEAT SURFACE 18" x 8", Overall 20" x 10", 220V T/C
VV2010IH	HEATPAD - HEAT SURFACE 18" x 8", Overall 20" x 10" Inside, 220V T/C
VV2210H	HEATPAD - HEAT SURFACE 18.5" x 9", Overall 22" x 10", 220V T/C
VV2213H	HEATPAD - HEAT SURFACE 18.5" x 12", Overall 22" x 13", 220V T/C
VV2215H	HEATPAD - HEAT SURFACE 19.5" x 14", Overall 22" x 15", 220V T/C
VV2217H	HEATPAD - HEAT SURFACE 19" x 15.5", Overall 22" x 17", 220V T/C
VV2424H	HEATPAD - HEAT SURFACE 22" x 22", Overall 24" x 24", 220V T/C
VV2519H	HEATPAD - HEAT SURFACE 25" x 19", Overall 31" x 20", 220V T/C
VV2621H	HEATPAD - HEAT SURFACE 22.5" x 20", Overall 26" x 21", 220V T/C
VV2626H	HEATPAD - HEAT SURFACE 26" x 26", Overall 32" x 27", 220V T/C
VV2815H	HEATPAD - HEAT SURFACE 25" x 14", Overall 28" x 15", 220V T/C
VV288H	HEATPAD - HEAT SURFACE 27" x 7", Overall 28.5" x 8", 220V T/C
VV3015H	HEATPAD - HEAT SURFACE 30" x 15", Overall 36" x 16", 220V T/C
VV30NH	HEATPAD - HEAT SURFACE 14.5" x 7.75", Overall 17" x 9", 220V T/C
VV3132H	HEATPAD - HEAT SURFACE 31" x 32", Overall 37" x 33", 220V T/C
VV3434H	HEATPAD - HEAT SURFACE 31" x 31", Overall 34" x 34", 220V T/C
VV3620H	HEATPAD - HEAT SURFACE 31" x 18", Overall 36" x 20", 220V T/C
VV3624H	HEATPAD - HEAT SURFACE 36" x 24", Overall 42" x 27", 220V T/C
VV3636H	HEATPAD - HEAT SURFACE 36" x 36", Overall 47" x 39", 220V T/C
VV4215H	HEATPAD - HEAT SURFACE 42" x 15", Overall 48" x 16", 220V T/C
VV4220H	HEATPAD - HEAT SURFACE 42" x 20", Overall 48" x 21", 220V T/C
VV4224H	HEATPAD - HEAT SURFACE 42" x 24", Overall 47" x 25", 220V T/C
VV4444H	HEATPAD - HEAT SURFACE 40" x 40", Overall 44" x 44", 220V T/C
VV4824H	HEATPAD - HEAT SURFACE 48" x 24", Overall 54" x 25", 220V T/C
VV5220H	HEATPAD - HEAT SURFACE 52" x 18", Overall 58" x 20", 220V T/C



HEAT PADS

VULCAFLEX SYSTEM HEAT PAD CONT'D

VV5224H	HEATPAD - HEAT SURFACE 52"x24", Overall 58"x25" , 220V T/C
VV6024H	HEATPAD - HEAT SURFACE 60"x24", Overall 66"x26" , 220V T/C
VV6624H	HEATPAD - HEAT SURFACE 66"x24", Overall 72"x26" , 220V T/C
VV7620H	HEATPAD - HEAT SURFACE 76"x20", Overall 85"x22" , 220V T/C
VV7624H	HEATPAD - HEAT SURFACE 76"x24", Overall 85"x26" , 220V T/C
VV8424H	HEATPAD - HEAT SURFACE 84"x24", Overall 90"x26" , 220V T/C

L SHAPED HEAT PADS

VVRTVLS	HEATPAD L SHAPE - HEAT SURFACE 9" sidewall x 8" tread x 9" width, Overall 12" sidewall x 9" tread x 12" width, 220V T/C
VV180LS	HEATPAD L SHAPE - HEAT SURFACE 12" sidewall x 8" tread x 16" width, Overall 14" sidewall x 10" tread x 21" width , 220V T/C
VV250LS	HEATPAD L SHAPE - HEAT SURFACE 15" sidewall x 18" tread x 16" width, Overall 18" sidewall x 21" tread x 21" width, 220V T/C
VV021LS	HEATPAD L SHAPE - HEAT SURFACE 22" sidewall x 22" tread x 24" width, Overall 26" sidewall x 26" tread x 28" width, 220V T/C



HEAT PAD COVERS

VV1414HC	COVER FOR VV1414H
VV1614HC	COVER FOR VV1614H
VV1616HC	COVER FOR VV1616H
VV2010HC	COVER FOR VV2010H
VV2010IHC	COVER FOR VV2010IH
VV2210HC	COVER FOR VV2210H
VV2213HC	COVER FOR VV2213H
VV2215HC	COVER FOR VV2215H
VV2217HC	COVER FOR VV2217H
VV2424HC	COVER FOR VV2424H
VV2519HC	COVER FOR VV2519H
VV2621HC	COVER FOR VV2621H
VV2626HC	COVER FOR VV2626H
VV2815HC	COVER FOR VV2815H
VV288HC	COVER FOR VV288H
VV3015HC	COVER FOR VV3015H
VV30NHC	COVER FOR VV30NH

VV3132HC	COVER FOR VV3132H
VV3434HC	COVER FOR VV3434H
VV3620HC	COVER FOR VV3620H
VV3624HC	COVER FOR VV3624H
VV3636HC	COVER FOR VV3636H
VV4215HC	COVER FOR VV4215H
VV4220HC	COVER FOR VV4220H
VV4224HC	COVER FOR VV4224H
VV4444HC	COVER FOR VV4444H
VV4824HC	COVER FOR VV4824H
VV5220HC	COVER FOR VV5220H
VV5224HC	COVER FOR VV5224H
VV6024HC	COVER FOR VV6024H
VV6624HC	COVER FOR VV3015H
VV7620HC	COVER FOR VV7620H
VV7624HC	COVER FOR VV7624H
VV8424HC	COVER FOR VV8424H



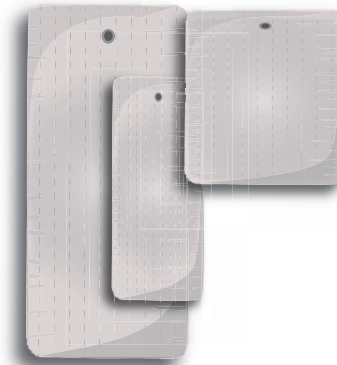
Insist on the Original!



AIR BAGS

OUTSIDE HARNESS AIR BAGS

VV2213HGB	OUTSIDE FLAT AIRBAG 22" X 13" WITH STRAP GUIDE
VV2621HGB	OUTSIDE FLAT AIRBAG 26" X 21" WITH STRAP GUIDE
VV3030HGB	OUTSIDE FLAT AIRBAG 30" X 30" WITH STRAP GUIDE
VV3620HGB	OUTSIDE FLAT AIRBAG 36" X 20" WITH STRAP GUIDE
VV3624HGB	OUTSIDE FLAT AIRBAG 36" X 24" WITH STRAP GUIDE
VV3636HGB	OUTSIDE FLAT AIRBAG 36" X 36" WITH STRAP GUIDE
VV4747HGB	OUTSIDE FLAT AIRBAG 47" X 47" WITH STRAP GUIDE
VV4820HGB	OUTSIDE FLAT AIRBAG 48" X 20" WITH STRAP GUIDE
VV4824HGB	OUTSIDE FLAT AIRBAG 48" X 24" WITH STRAP GUIDE
VV4832HGB	OUTSIDE FLAT AIRBAG 48" X 32" WITH STRAP GUIDE
VV6724HGB	OUTSIDE FLAT AIRBAG 67" X 24" WITH STRAP GUIDE
VV7524HGB	OUTSIDE FLAT AIRBAG 75" X 24" WITH STRAP GUIDE
VV7526HGB	OUTSIDE FLAT AIRBAG 75" X 26" WITH STRAP GUIDE
VV7528HGB	OUTSIDE FLAT AIRBAG 75" X 28" WITH STRAP GUIDE
VV9026HGB	OUTSIDE FLAT AIRBAG 90" X 26" WITH STRAP GUIDE
VV9028HGB	OUTSIDE FLAT AIRBAG 90" X 28" WITH STRAP GUIDE



CYLINDER AIRBAGS

VV88/12CAB	CYLINDER AIRBAG 8" X 12"
VV911/13CAB	CYLINDER AIRBAG 9" X 13"
VV1010/17CAB	CYLINDER AIRBAG 10" X 10"
VV1220CAB	CYLINDER AIRBAG 12" X 20"
VV1315/20CAB	CYLINDER AIRBAG 13" X 20"
VV1518/24CAB	CYLINDER AIRBAG 15" X 24"
VV1721/24CAB	CYLINDER AIRBAG 17" X 24"
VV1721/32CAB	CYLINDER AIRBAG 17" X 32"
VV2124CAB	CYLINDER AIRBAG 21" X 24"
VV2427/32CAB	CYLINDER AIRBAG 24" X 32"
VV2732/32CAB	CYLINDER AIRBAG 27" X 32"
VV3336/32CAB	CYLINDER AIRBAG 33" X 32"
VV3842/32CAB	CYLINDER AIRBAG 38" X 32"
VV4447/32CAB	CYLINDER AIRBAG 44" X 32"



AIR BAGS

FLAT AIR BAGS

VV1210FAB	FLAT AIR BAG 12" x 10"
VV2117FAB	FLAT AIR BAG 21" x 17"
VV2210FAB	FLAT AIR BAG 22" x 10"
VV2213FAB	FLAT AIR BAG 22" x 13"
VV2517FAB	FLAT AIR BAG 25" x 17"
VV2621FAB	FLAT AIR BAG 26" x 21"
VV2820FAB	FLAT AIR BAG 28" x 20"
VV3030FAB	FLAT AIR BAG 30" X 30"
VV3620FAB	FLAT AIR BAG 36" x 20"
VV3624FAB	FLAT AIR BAG 36" x 24"
VV3636FAB	FLAT AIR BAG 36" x 36"
VV4747FAB	FLAT AIR BAG 47" x 47"
VV4820FAB	FLAT AIR BAG 48" x 20"
VV4824FAB	FLAT AIR BAG 48" x 24"
VV4832FAB	FLAT AIR BAG 48" x 32"
VV5432FAB	FLAT AIR BAG 54" x 32"
VV6724FAB	FLAT AIR BAG 67" x 24"
VV6732FAB	FLAT AIR BAG 67" x 32"
VV7524FAB	FLAT AIR BAG 75" x 25"
VV7526FAB	FLAT AIR BAG 75" x 26"
VV7528FAB	FLAT AIR BAG 75" x 28"
VV7532FAB	FLAT AIR BAG 75" x 32"
VV9025FAB	FLAT AIR BAG 90" x 25"
VV9026FAB	FLAT AIR BAG 90" x 26"
VV9028FAB	FLAT AIR BAG 90" x 28"
VV9032FAB	FLAT AIR BAG 90" x 32"



Insist on the Original!



ACCESSORIES

VV2PF	2 pin plug Female
VV2PM	2 pin plug male
VV6PF	6 pin plug Female
VV6PM	6 pin plug Male
VVPA2-6	PLUG ADAPTOR 2 PIN PANEL TO 6 PIN HEATPAD
VVPA6-2	PLUG ADAPTOR 6 PIN PANEL TO 2 PIN HEATPAD
VVCT14F	AIR COUPLING 1/4" X 1/4" NPT FEMALE FOR VULCAFLEX SYSTEM
VVCT14M	AIR COUPLING 1/4" X 1/4" NPT MALE FOR VULCAFLEX SYSTEM
VVFT14F	AIR FITTING 1/4" X 1/4" NPT FEMALE FOR VULCAFLEX SYSTEM
VVFT14M	AIR FITTING 1/4" X 1/4" NPT MALE FOR VULCAFLEX SYSTEM
VVAHE13	AIR HEX NIPPLE 1/4" NPT MALE FOR VULCAFLEX SYSTEM
VVAF14	AIR FILTER 1/4" NPT FOR VULCAFLEX SYSTEM
VVAV1/4	AIR BALL VALVE 1/4" NPT FOR VULCAFLEX SYSTEM
VVAHP	Hose for panel airbag 10' (3M) with fitting
VVPC10	Power cable for Vulcaflex control panel
VVAH24	Hose for airbag 24"
VVH14	HOSE 1/4" WITH 1/4" NPT MALE FITING (per foot)
VVTR4C	THERMOCOUPLE READER 4 CHANNELS
VVTCF	Thermocouple J type plug for round pin (female)
VVTCM	Thermocouple J type plug with round pin (male)
VVTJ24TT	Thermocouple J type 24 GUAGE TEFLON
VVTJ30GG	Thermocouple J type 30 GUAGE FIBERGLASS - per foot
VVTJ30GG200	Thermocouple J type 30 GUAGE FIBERGLASS - 200 Meter spool
VVTJREP10	Thermocouple J REPLACEMENT EXTENSION 10' WITH RUBBER PAD 5"
VVTJREP11	Thermocouple J REPLACEMENT EXTENSION 10' WITH RUBBER PAD 8"
VVTJREP12	Thermocouple J REPLACEMENT EXTENSION 10' WITH RUBBER PAD 12"
VVTJREP13	Thermocouple J REPLACEMENT EXTENSION 10' WITH RUBBER PAD 17"
VVTJREP14	Thermocouple J REPLACEMENT EXTENSION 10' WITH RUBBER PAD 22"

BEAD BLOCKS



BIK25	BEAD BLOCK FOR 25" OTR
BIK29	BEAD BLOCK FOR 29" OTR
BIK33	BEAD BLOCK FOR 33" OTR
BIK35	BEAD BLOCK FOR 35" OTR
BIK39	BEAD BLOCK FOR 39" OTR
BIK45	BEAD BLOCK FOR 45" OTR
BIK49	BEAD BLOCK FOR 49" OTR
BIK51	BEAD BLOCK FOR 51" OTR
BIK57	BEAD BLOCK FOR 57" OTR
BIK63	BEAD BLOCK FOR 63" OTR

PIPE KITS

VVPK212026	PIPE KIT 2" X 26" X 120 PIPE FOR VULCAFLEX SYSTEM WITH FOLDABLE BOX
VVPK24026	PIPE KIT 2" X 26" X 40 PIPE FOR VULCAFLEX SYSTEM WITH FOLDABLE BOX
VVPK28026	PIPE KIT 2" X 26" X 80 PIPE FOR VULCAFLEX SYSTEM WITH FOLDABLE BOX
VVPK310030	PIPE KIT 3" X 30" X 100 PIPE FOR VULCAFLEX SYSTEM WITH FOLDABLE BOX
VVPK310026	PIPE KIT 3" X 26" X 100 PIPE FOR VULCAFLEX SYSTEM WITH FOLDABLE BOX
VVPK312030	PIPE KIT 3" X 30" X 120 PIPE FOR VULCAFLEX SYSTEM WITH FOLDABLE BOX
VVPK310034	PIPE KIT 3" X 34" X 100 PIPE FOR VULCAFLEX SYSTEM WITH FOLDABLE BOX
VVPK312034	PIPE KIT 3" X 34" X 120 PIPE FOR VULCAFLEX SYSTEM WITH FOLDABLE BOX
VVPK34026	PIPE KIT 3" X 26" X 40 PIPE FOR VULCAFLEX SYSTEM WITH FOLDABLE BOX
VVP226	PIPE 2" X 26" FOR PIPE KIT
VVP326	PIPE 3" X 26" FOR PIPE KIT
VVP330	PIPE 3" X 30" FOR PIPE KIT
VVP334	PIPE 3" X 34" FOR PIPE KIT
VVFB323025	FOLDABLE BOX 32" X 30" X 25"
VVFB484034	FOLDABLE BOX 48" X 40" X 34"

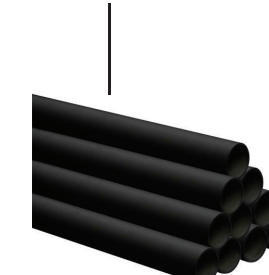
SAND BAGS



BEAD BLOCKS



PIPE KITS



PLUG ADAPTER





ACCESSORIES

HARNESSES & STRAPS

VVHK48	HARNESS STRAP KIT FOR TRUCK (4 straps 1" x 8' & 2 VVPP2215-4)
VVHK615	HARNESS OTR STRAP KIT (6 straps 2" x 15' & 2 VVPP3026-6)
VVHK624	HARNESS OTR STRAP KIT (6 straps 2" x 24' & 2 VVPP3026-6)
VVHK824	HARNESS OTR STRAP KIT (8 straps 3" x 24' & 2 VVPP4034-8)
VVPP2215-4	HARNESS FOR STRAP 22" X 15" FOR 4 X 1" STRAP
VVPP2419-6	HARNESS FOR STRAP 24" X 19" FOR 6 X 2" STRAP
VVPP3026-4	HARNESS FOR STRAP 30" X 26" FOR 4 X 2" STRAP
VVPP3026-6	HARNESS FOR STRAP 30" X 26" FOR 6 X 2" STRAP
VVPP3032-6	HARNESS FOR STRAP 30" X 32" FOR 6 X 2" STRAP
VVPP4032-6	HARNESS FOR STRAP 40" X 32" FOR 6 X 2" STRAP
VVPP4034-8	HARNESS FOR STRAP 40" X 34" FOR 8 X 2" STRAP
VVS18	STRAP FOR TRUCK SYSTEME 1" X 8'
VVS215	STRAP FOR OTR SYSTEM 2" X 15'
VVS224	STRAP FOR OTR SYSTEM 2" X 24'

SAND BAGS

VVSB1535I	SAND BAG 3,5" X 15" for inside
VVSB156I	SAND BAG 6" X 15" for inside
VVSB18	SAND BAG 1 1/2" X 8"
VVSB26	SAND BAG 2" X 6"
VVSB310	SAND BAG 3" X 10"
VVSB314	SAND BAG 3" X 14"
VVSB35	SAND BAG 3" X 5"
VVSB48	SAND BAG 4" X 8"
VVSB LUG	LUG SAND BAG KIT 4 SANDBAG OF EACH SIZE (1 1/2"X8", 4"X8", 3"X10", 3"X5", 3"X14", 2"X6")
VVSBTRUCK	INSIDE FILLER TRUCK SAND BAG KIT 6 X (6"X15") & 2 X (3,5"X15")



TIRE STANDS



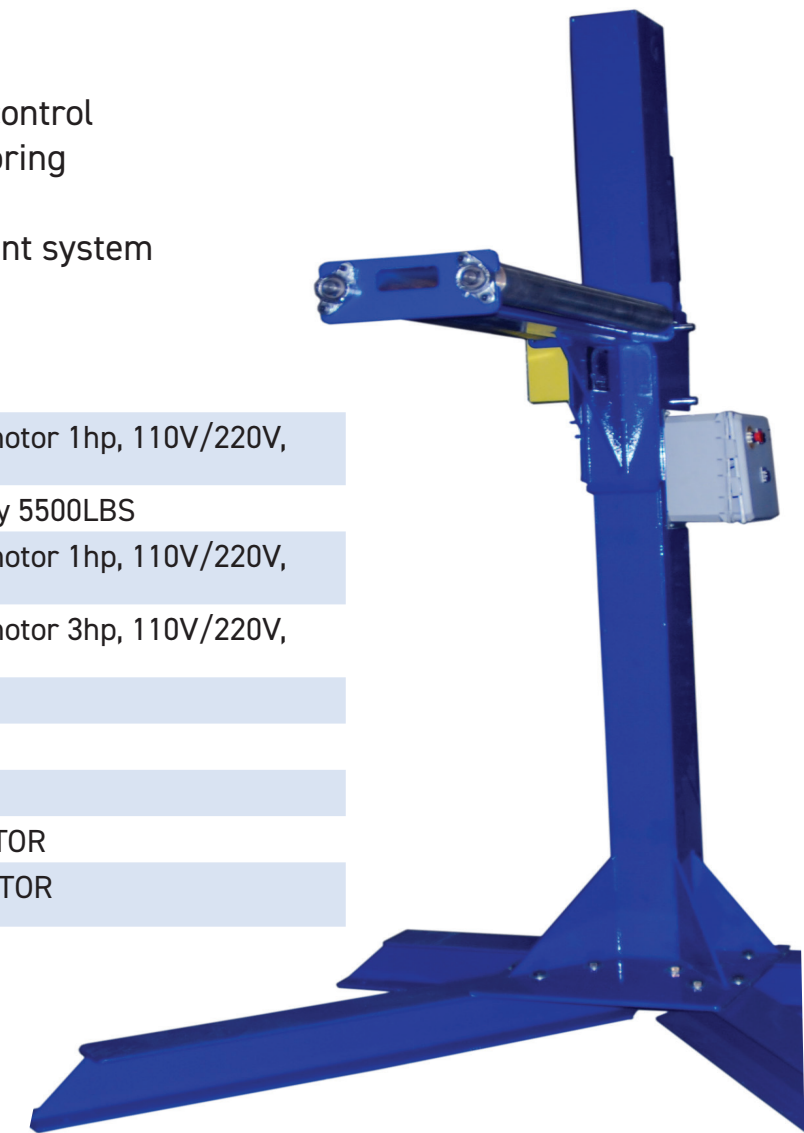
Insist on the Original!

WITH MOTORIZED ROLLERS

Durable steel structure
 Engineer certified
 Sturdy with angled base and or foot rotation control
 Removable base for compact shipping and storing
 220V/3HP Motor also available in 50/60hz
 Optional: automatic hydraulic height adjustment system

TIRE STANDS

VVTS35	TIRE STAND with motorized rollers, motor 1hp, 110V/220V, 50hz/60hz, max capacity 3500LBS
VVTS55NM	TIRE STAND with rollers, max capacity 5500LBS
VVTS55	TIRE STAND with motorized rollers, motor 1hp, 110V/220V, 50hz/60hz, max capacity 5500LBS
VVTS16K	TIRE STAND with motorized rollers, motor 3hp, 110V/220V, 50hz/60hz, max capacity 16000LBS
VVTSAIR	AIR SUPPLY OPTION
VVTSLIGHT	LIGHT SUPPLY OPTION
VVTSLIFT	HYDRAULIQUE LIFTING OPTION
VVTSFCONT	TIRE STAND FOOT CONTROL FOR MOTOR
VVTSHCNT	TIRE STAND HAND CONTROL FOR MOTOR





POWER EQUIPMENT

With variable speed for flexible axes

FLEXIBLE SHAFT EQUIPMENT designed for versatility when working with: production, repair, and maintenance of all types of surfaces.

Programmable speeds can vary between 1,000 and 6,000 R.P.M. Their versatility of these units can be used as portable equipment (small and very light) or as stationary equipment (hung on a rail on which it slides), allowing you to quality grinding, skiving or finishing with comfort, durability and confidence.

Part number description breakdown: machine prefix-voltage/phase/frequency add a + for the hand control
Example for variaflex : RVAR-220/3/50+

VARIAFLEX 2000 PART #: RVAR

SPEED RANGE: 1,000 - 6,000 R.P.M.

SPEED REGULATION: 0-10 analog Telemecanical potentiometer.

MOTOR SWITCH: Analog Telemecanical.

MOTOR: Three phase 2.0 H.P. to 3,425 R.P.M.

FREQUENCY CONVERTER: DELTA.

OVERLOAD CONTROL: Integrated 125%.

SERVICE TEMPERATURE: 40 °C.

POWER VOLTAGE: Adjusted based on customer requirements of 220v, 380v, 440v&&50/60Hz.

AMPERAGE: 5.41A at 220 V

SERVICE TIME: 24 hours.



ROTOSTAR PART #: RVSTA

SPEED à: 3600 R.P.M.

MOTOR SWITCH: Analog Telemecanical.

MOTOR: Three phase 2.0 H.P. to 3,425 R.P.M.

SERVICE TEMPERATURE: 40 °C.

POWER VOLTAGE: Adjusted based on customer requirements of 220v, 380v, 440v & 50/60Hz.

AMPERAGE: 5.41 A at 220 V

SERVICE TIME: 24 hours



ROTOSTAR PART #: RVR75

SPEED: 3600 R.P.M.

MOTOR SWITCH: Mecanical.

MOTOR: Three phase 2.0 H.P. to 3,425 R.P.M.

SERVICE TEMPERATURE: 40 °C.

POWER VOLTAGE: Adjusted based on customer requirements of 220v, 380v, 440v & 50/60Hz.

AMPERAGE: 5.41 A at 220 V

SERVICE TIME: 24 hours





EQUIPMENT CHART



Insist on the Original!

TRACTOR & OTR WIDE BASE TIRE SIZES	OTR TIRE SIZE		CYLINDER BAG	INSIDE FLAT AIR BAG		INSIDE AIR BAG		OUTSIDE HEAT PAD	OUTSIDE AIR BAG	STRAP
	BIAS PLY	RADIAL		BIAS PLY	RADIAL					
4.9-24 through 16.9-38	14.00-20 13.00- 24/25 14.00- 24/25	16.00- 24/25 15.5-25 17.5-25	CAB1315/20 or Pipe kit VVPK28026	VV3624FAB	VV3624FAB	VV2424H	VV3015H	VV2621H	VV3624HGB	6XVVS215
18.4-24 through	18.00- 24/25	21.00-25 21.00-35	CAB1721/24 or Pipe kit	VV3624FAB	VV3624FAB	VV2424H	VV3015H	VV2621H	VV3624HGB	6XVVS215
20.8-42 23.1-26 through	18.00-33 18.00-49	21.00-49 20.5-25	VVPK212026							
30.5-32 25/65- 25	20.5-25 23.5-25 24.00-25 24.00-29 24.00-35 27.00-33 27.00-49 29.5-25	24.00-49 26.5-25 26.5-29 29.5-29 27-56.5								
30/65-25 30/65-29 35/65-33	33.00-51 33.25-29 3315-35	33.5-33 33.5-39 33-59.5	CAB2732/32 or Pipe kit VVPK212026	VV4824FAB	VV3030FAB	VV2626H	VV4220H	VV4220H & VV250LS	VV4824HGB	6XVVS215
40/65-39 45/65-45	36.00-51 40.00-57 37.25-35 37.5-33	37.5-39 37.5-51 36-59.5 39-59.5	CAB2732/32 or Pipe kit VVPK310034	VV3636FAB	VV6724FAB	VV3636H	VV4220H & VV6020H	VV4220H & VV2250LS	VV4824HGB & VV7526HGB	6XVVS215
49.5/85-57 50/65-51	40.00-57		CAB3842/32 or Pipe kit VVPK310034	VV3636FAB	VV6724FAB	VV3636H	VV4220H & VV6020H	VV4220H & VV2250LS	VV7526HGB	6XVVS224
50/80-57 55/80-57 53.5/85-57 -63 55.5/80-57 -63 55.5/85-57			CAB4447/32 or Pipe kit VVPK312034	VV3636FAB	YV7526FAB & VY9026FAB	VY3636H	VY6624H & YY8424H	YV6624H & YV8424H	YV6624H & VV8424H	6XYYS224

